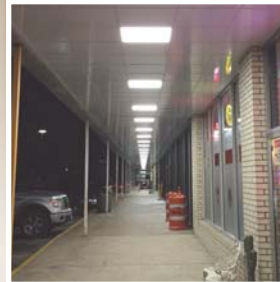
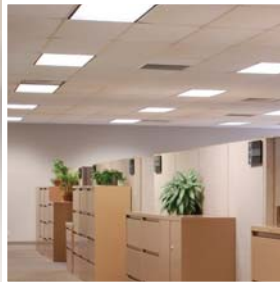


COLOR SELECTABLE LED PANELS

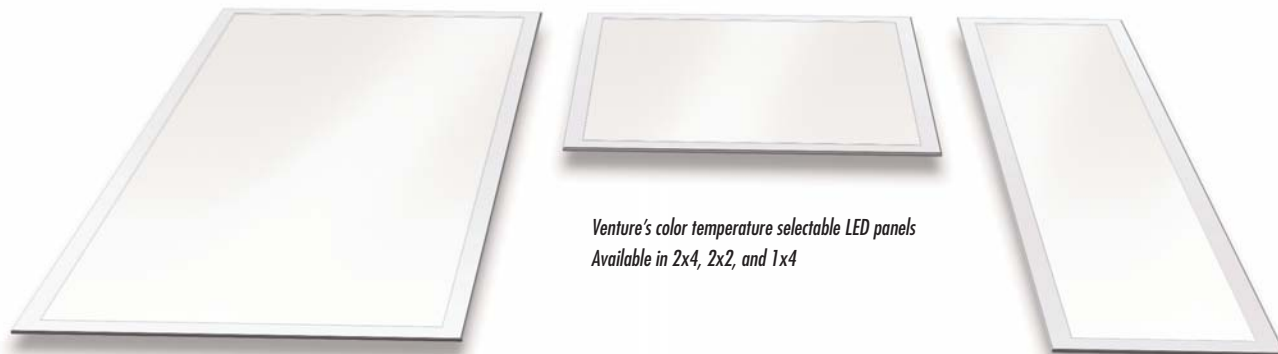
CHANGE COLOR WITH THE FLIP OF A SWITCH



A DIFFERENT WAY OF LIGHT



SELECT COLOR TEMPERATURE AND INSTALL



*Venture's color temperature selectable LED panels
Available in 2x4, 2x2, and 1x4*

LED Color Selectable Panels

Change from 3500K, 4000K or 5000K with just the flip of a switch. Venture Lighting's color temperature selectable LED panels are low profile, lightweight, and designed for long life and low maintenance. These thin luminaires are designed to quickly and easily upgrade existing fluorescent fixtures and be more versatile than other LED panels. The high performance LED source is mounted to ensure proper thermal management of the system. Each fixture is capable of changing CCT with a simple flip of a switch. The CCT Selection method allows for a cost effective method to reduce stocking inventory by 66%. All CCT Selectable Panel fixtures are preset to 4000K at the factory.



3500K



4000K

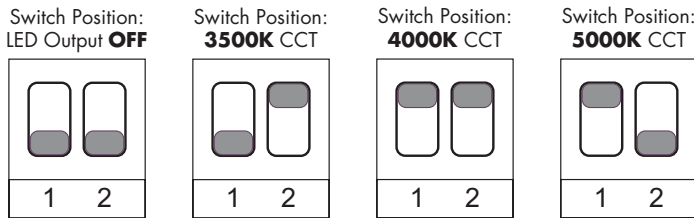


5000K

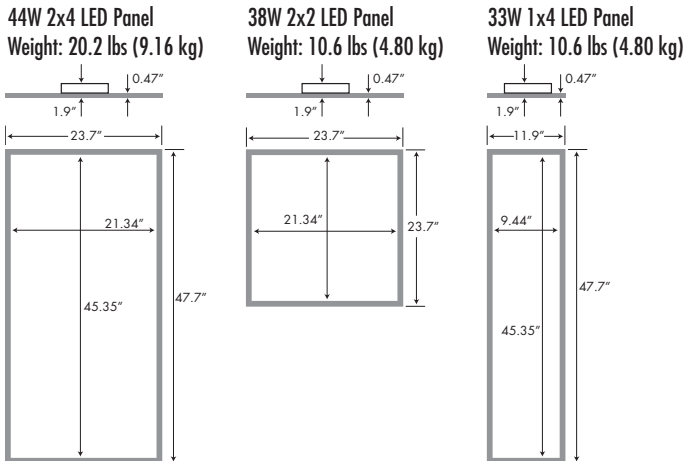
LED PANEL LIGHTING



Color Selection Switches located on the back of each panel



Dimensions



Color Selectable

Panel Size	Wattage	Order Code	Color Temperature	DLC Model Number	Lumen Output	CRI	Life Hours	Amp. Draw (A) 120V	Amp. Draw (A) 277V	Replaces Existing Wattages	
1x4	33W	PN69124	Standard	4000K	P114-36N-ANR-C	3675	80+	50,000	0.32	0.14	64W
			Field Selectable	3500K	P114-36B-ANR-C	3545					
			Field Selectable	5000K	P114-36C-ANR-C	3860					
2x2	38W	PN38592	Standard	4000K	P122-40N-ANR-C	4140	80+	50,000	0.34	0.15	64W
			Field Selectable	3500K	P122-40B-ANR-C	4050					
			Field Selectable	5000K	P122-40C-ANR-C	4535					
2x4	44W	PN41751	Standard	4000K	P124-48N-ANR-C	4740	80+	50,000	0.42	0.19	96W - 128W
			Field Selectable	3500K	P124-48B-ANR-C	4660					
			Field Selectable	5000K	P124-48C-ANR-C	5030					

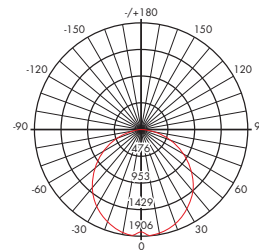
Benefits and Features

- Change from 3500K, 4000K or 5000K with just the flip of a switch
- All CCT Selectable Panel fixtures are preset to 4000K at the factory
- Reduce inventory SKUs by 66%
- Easy to install
- Factory installed battery back-up option available
- Edge-lit optics, low glare and easy on the eyes
- Designed for upgrading existing fluorescent fixtures or for new construction
- 0-10V DC dimming standard to maximize energy savings
- Rated for damp and dry locations
- IC Rated
- Universal 120-277V 50/60 Hz input
- Factory installed Chicago Plenum Kit Option Available

Photometrics

44W 2x4 LED Panel

Luminous Intensity Distribution Diagram



Accessories (Order as separate line items)

- BB23468 - Battery back-up
 - KT14136 - 1x4 Drywall Mount Kit, White
 - KT20945 - 1x4 Surface Mount Kit, White
 - KT18101 - 2x2 Drywall Mount Kit, White
 - KT14156 - 2x2 Surface Mount Kit, White
 - KT18916 - 2x4 Drywall Mount Kit, White
 - KT18522 - 2x4 Surface Mount Kit, White
- For a factory installed Battery Backup add "-EM" after order code
For a factory installed Chicago Plenum Construction add "-CCEA" after the order code





energy saving



longer life



superior performance



easy to install



5 year warranty



technical support

COLOR SELECTABLE LED PANELS



VENTURE
LIGHTING

A DIFFERENT WAY OF LIGHT

(800) 451-2606

Fax: (800) 451-2605
2451 Enterprise Parkway East
Twinsburg, OH 44087 USA
E-mail: venture@adlt.com

VentureLighting.com